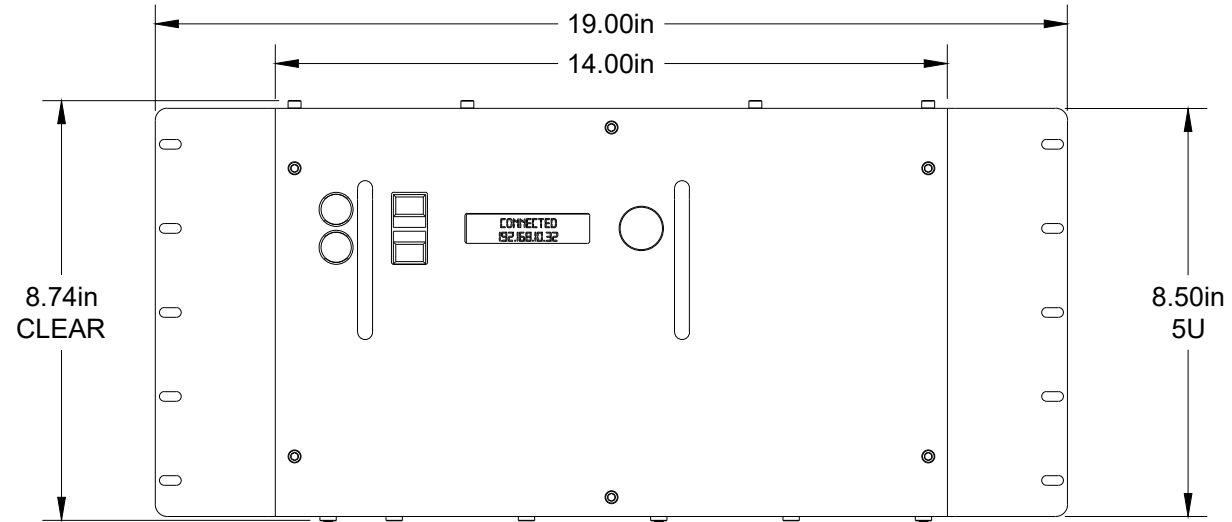
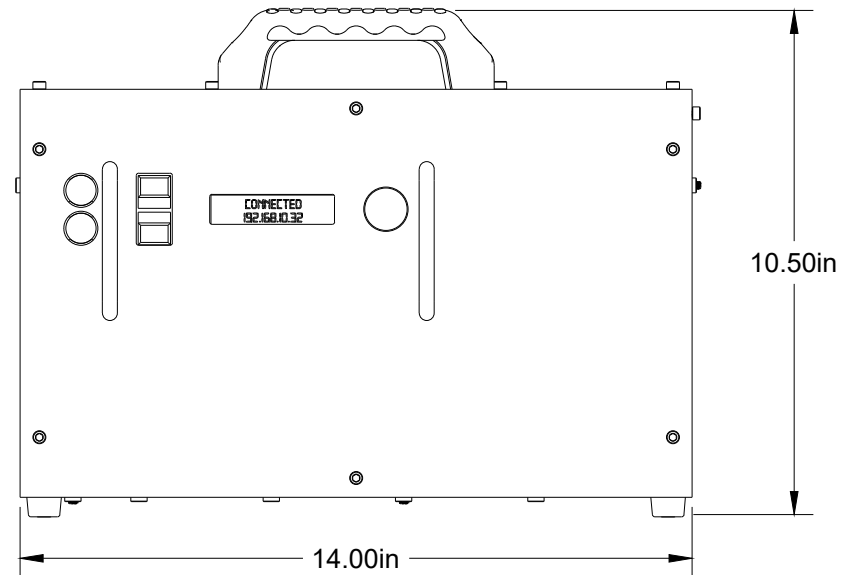
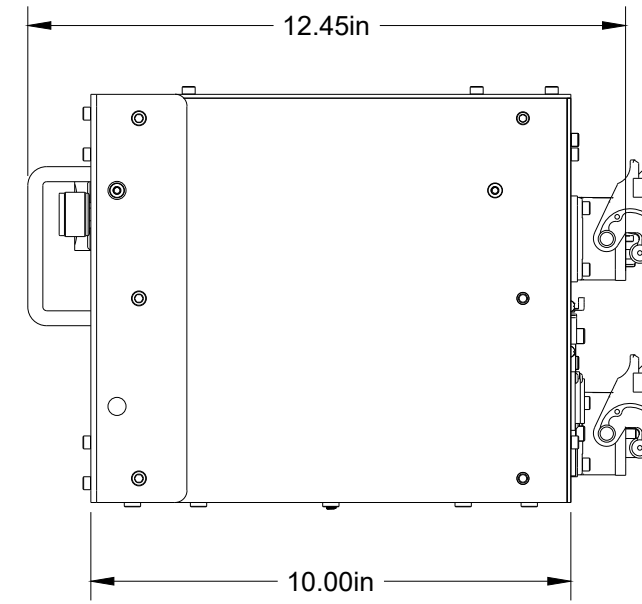



x/x = +/- 1/16"
 .xx = +/- 0.010
 .xxx = +/- 0.003



FRONT VIEW
WITH RACK EARS



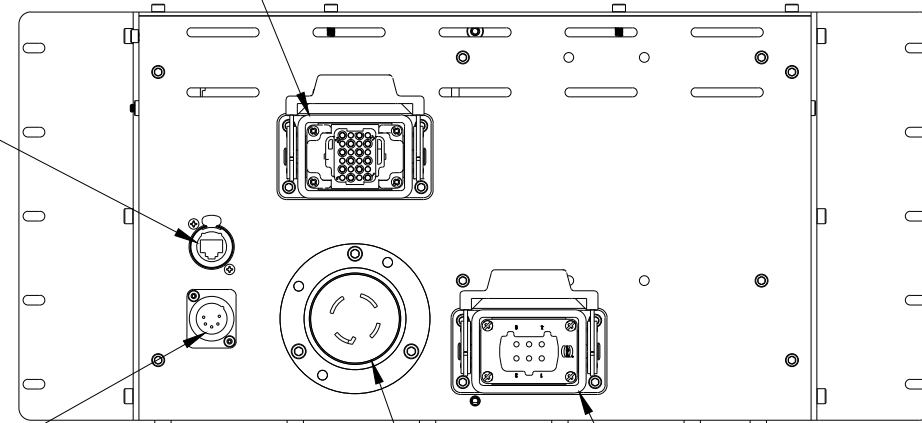
FRONT VIEW
RACK EARS REMOVED

	PROJECT			Stagehand Apprentice
	TITLE			Overview
This drawing is the property of Creative Conners, Inc. Copyright 2017. All rights reserved.				
APPROVED	SIZE	CODE	DWG NO	REV
CHECKED	B			
DRAWN Mike Wade 9/9/2017	SCALE 1-1/2" = 1'-0"	WEIGHT	SHEET 1/2	

SIGNAL INPUT
IRC-44MM x 27MM (6B)
BULKHEAD BASE WITH LEVER
Han DD 24P Female Insert

ETHERCON
RJ-45

XLR 5 PIN
MALE



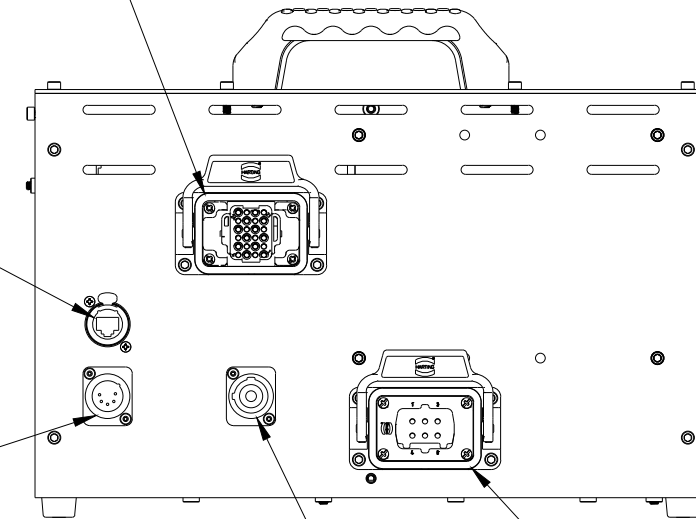
NEMA
L15-30M

MOTOR/BRAKE OUTPUT
IRC-44MM x 27MM (6B)
BULKHEAD BASE WITH LEVER
Han E 6P 16A Female Insert

SIGNAL INPUT
IRC-44MM x 27MM (6B)
BULKHEAD BASE WITH LEVER
Han DD 24P Female Insert

ETHERCON
RJ-45

XLR 5 PIN
MALE



NEUTRIK
NAC3MPX

MOTOR/BRAKE OUTPUT
IRC-44MM x 27MM (6B)
BULKHEAD BASE WITH LEVER
Han E 6P 16A Female Insert



PROJECT

Stagehand Apprentice

TITLE

Rear Panel Detail
1HP & 5HP

APPROVED

CHECKED

DRAWN Mike Wade 9/9/2017

SIZE

B

CODE

DWG NO

REV

SCALE 3" = 1'-0" WEIGHT

SHEET 2/2